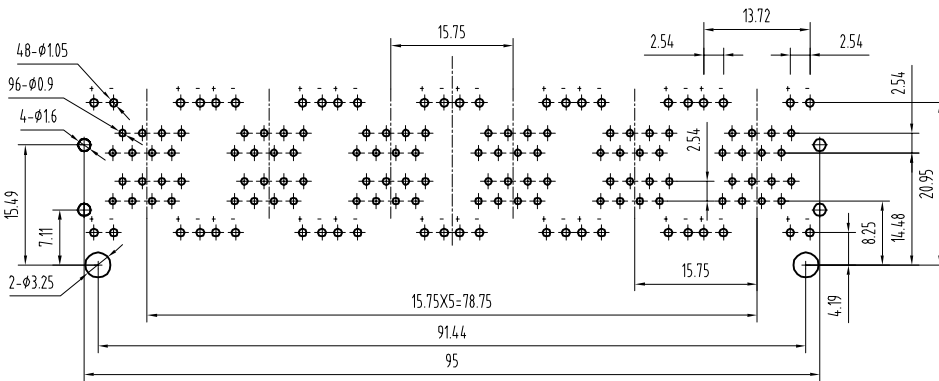
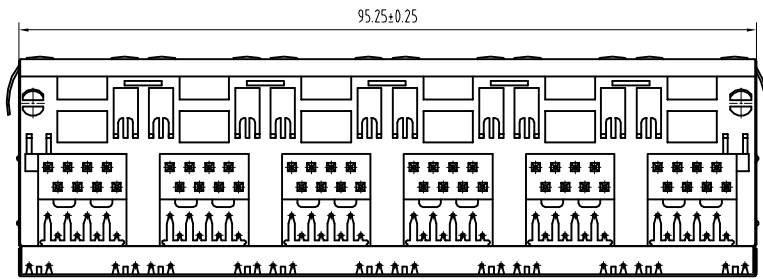
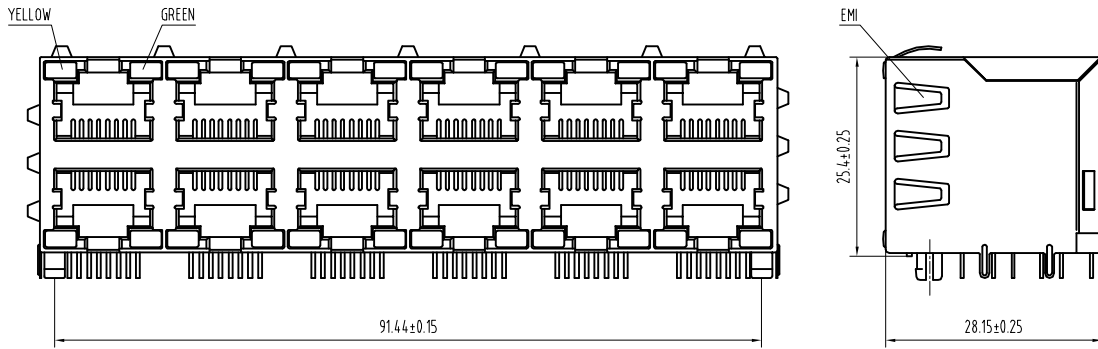


## 5J SERIES 2XN LED JACK H=28.15

HY5JC88-6X1XXXX



PC Board Layout  
Component Side Shown

### ORDERING INFORMATION

