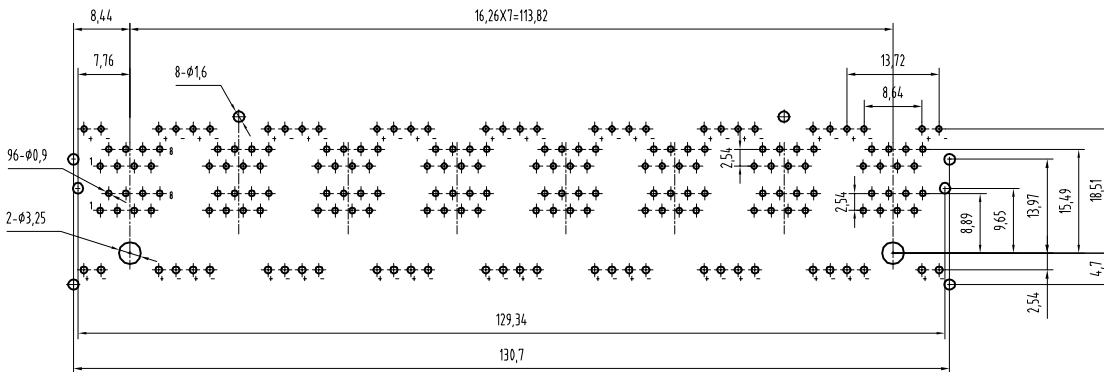
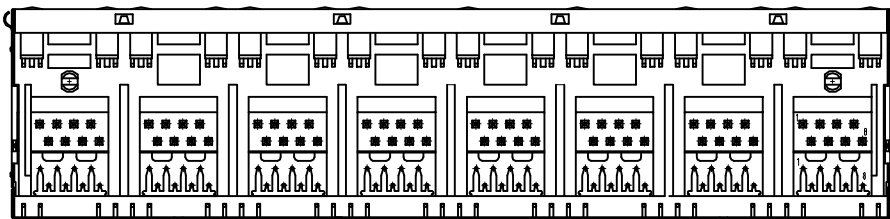
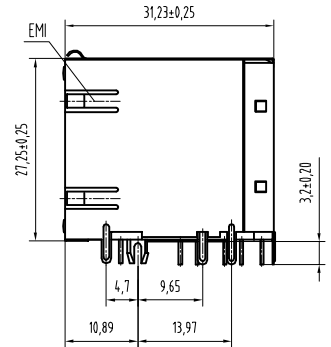
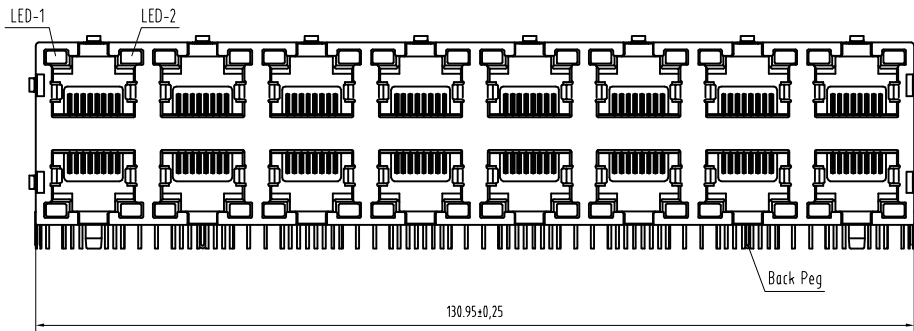


5J SERIES 2XN LED JACK H=31.23

HY5JB88-8X1XXXX



PC Board Layout
Component Side Shown

ORDERING INFORMATION

