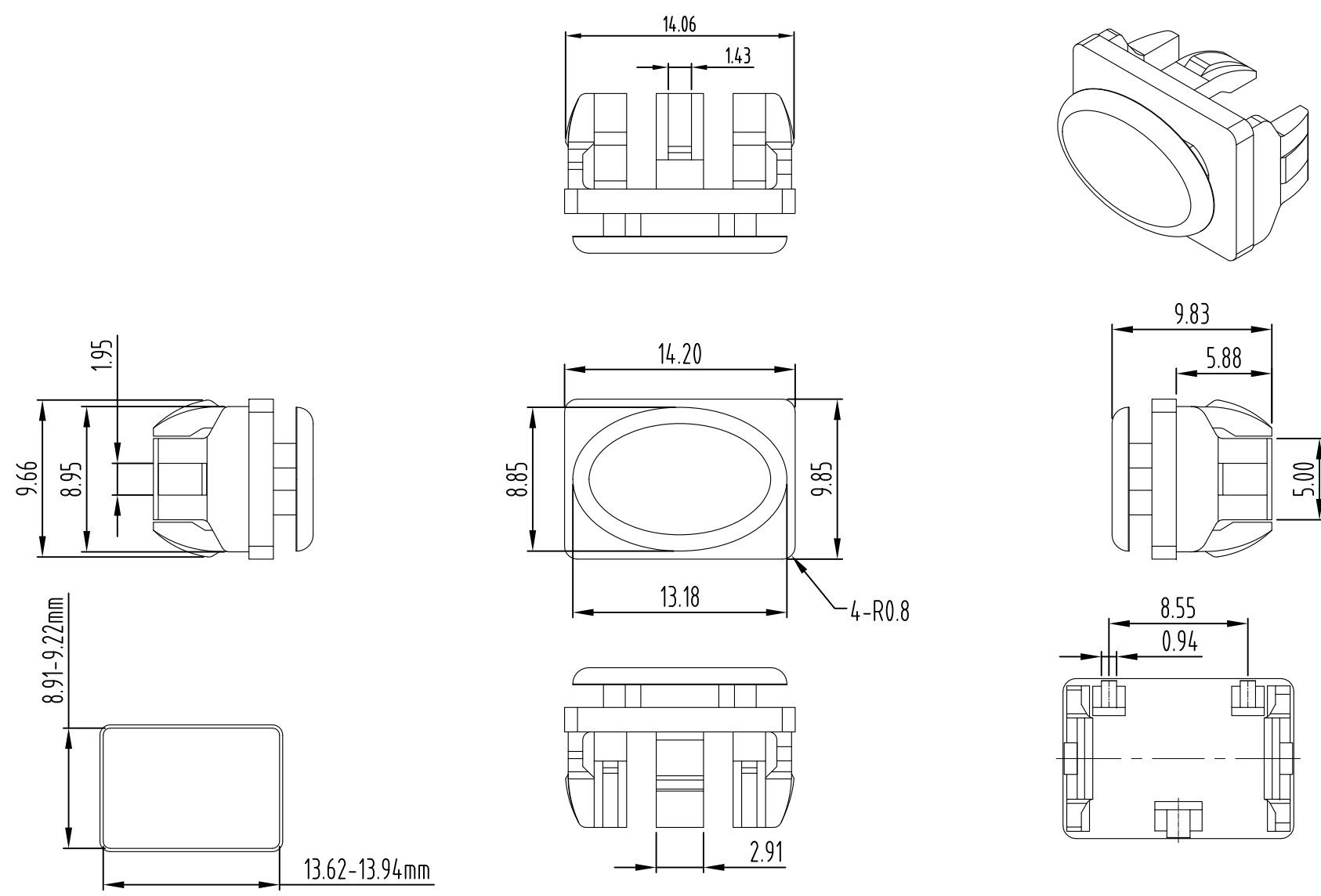


1 2 3 4 5 6 7 8

H
G
F
E
D
C
B
A



THE DIMENSION OF MATE HOLES

TITLE				乐清市弘宇电子有限公司					
SFP 1X1 Dust Cover									
PART NO.				GENERAL TOLERANCE			UNIT:MM	SIZE: A4	
HH10-0011001-001									
DRAW	Iror	DATE	2016-12-01	.X±0.20	.X±1°	SCALE: 1:1	SHEET:1/1	REV:A	
CHECK	Iror	DATE	2016-12-01	.XX±0.15	.XX±5°				
APPROVE	Victor	DATE	2016-12-01	.XXX±0.10					

RoHS COMPLIANT

THIS DRAWING IS A CONTROLLED DOCUMENT FOR HONG YU CORPORATION

BY HONG YU CORPORATION
© COPYRIGHT 2016
PRODUCT DRAWING